

OUTDOOR LIGHTING

ACE



GENERAL

ACE
Category _____ solitary
Light source _____ LED
Color changing _____ no
Warranty _____ 5 years

DIMENSIONS

Length _____ 86 mm / 3.39"
Width _____ 78 mm / 3.07"
Height _____ 205 mm / 8.07"
Diameter _____ -
Total height _____ -
Recess depth _____ -

ELECTRONICS

Voltage _____ 12V AC
Output _____ 3.00 Watt
VA _____ 5.30
Power factor _____ 0.57
Light source _____ 1x LED High Power 3.5W
Lifetime _____ 25000 hours
Dimmable _____ no
Length of cable lead _____ 600 mm / 24"

LIGHT SPECIFICATIONS

Color temperature _____ 3000 K
CRI (RA) _____ 91
Luminous intensity _____ 196 Cd
Light beam 0-180 _____ 63°
Light beam 90-270 _____ 63°
Net luminous flux _____ 173 lumen
Luminous efficiency _____ 58 lumenwatt

MATERIAL

Ring Plate _____ -
Lens _____ polycarbonate
Exterior _____ aluminum
Easy Lock included _____ yes
Installation hardware included _____ yes

AVAILABLE PRODUCT COLORS

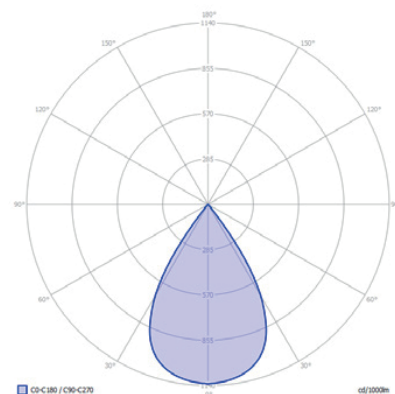
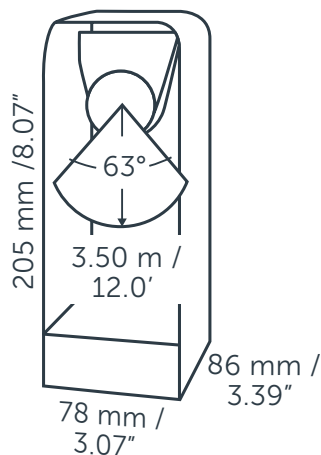
■ Corten: 10302060 ■ Dark Grey: 10302050
■ Rose Silver: 10302000 □ White: 10302055
■ Flat Grey: 10301965

AVAILABLE ACCESSORIES

LENS CLEAR, LENS DIFFUSE

PROTECTION RATING

IP : 55



| ILLUMINANCE - CONE OF LIGHT | | |
|-----------------------------|--------------------|---------------|
| CENTER BEAM (FC) | BEAM DIAMETER (FT) | DISTANCE (FT) |
| 22 | 3.68 | 3.0 |
| 5 | 7.97 | 6.5 |
| 2 | 11.03 | 9.0 |
| 1 | 15.32 | 12.5 |
| 1 | 19.61 | 16.0 |
| 1 | 23.90 | 19.5 |

Beam angle (0-180°) (90-270°): 63°
edge illuminance is 1/2 of Centre beam

12 VOLT



ENERGY
in-lite design b.v.
ACE

A
B
C
D
E
F
G

3
kWh/1000h

2019/2015

in-lite®