

OUTDOOR LIGHTING

ACE DOWN



GENERAL

ACE DOWN
Category _____ wall
Light source _____ LED
Color changing _____ No
Warranty _____ 5 years

DIMENSIONS

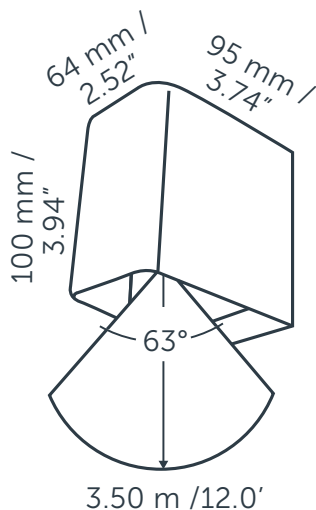
Length _____ 95 mm / 3.74"
Width _____ 64 mm / 2.52"
Height _____ 100 mm / 3.94"
Diameter _____ -
Total height _____ -
Recess depth _____ -

ELECTRONICS

Voltage _____ 12V AC
Output _____ 3.00 Watt
VA _____ 5.30
Power factor _____ 0.57
Light source _____ 1x LED High Power 3.5W
Lifetime _____ 25000 hours
Dimmable _____ no
Length of cable lead _____ 600 mm / 24"

PROTECTION RATING

IP : 55



LIGHT SPECIFICATIONS

Color temperature _____ 3000 K
CRI (RA) _____ 91
Luminous intensity _____ 196.00 Cd
Light beam 0-180 _____ 63°
Light beam 90-270 _____ 63°
Net luminous flux _____ 173 lumen
Luminous efficiency _____ 58 lumenwatt

MATERIAL

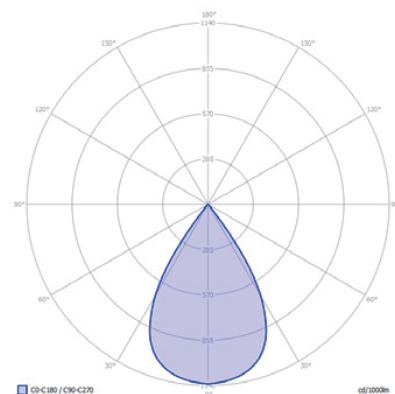
Ring Plate _____ -
Lens _____ polycarbonate
Exterior _____ aluminum
Easy Lock included _____ yes
Installation hardware included _____ yes

AVAILABLE PRODUCT COLORS

■ Corten: 10301860 ■ Dark Grey: 10301850
■ Rose Silver: 10301800 □ White: 10301855
■ Flat Grey: 10301865

AVAILABLE ACCESSORIES

LENS CLEAR, LENS DIFFUSE, SHUTTER 1



in-lite®

ILLUMINANCE - CONE OF LIGHT		
CENTER BEAM (FC)	BEAM DIAMETER (FT)	DISTANCE (FT)
16	4.29	3.5
5	7.97	6.5
2	11.64	9.5
1	15.32	12.5
1	19.00	15.5
1	22.67	18.5

Beam angle (0-180°) (90-270°): 63°
edge illuminance is 1/2 of Centre beam

12 VOLT



ENERGY
in-lite design b.v.
ACE DOWN

A
B
C
D
E
F
G

3
kWh/1000h

2019/2015

in-lite®